

**Doctor holder cleaning system**  
CLOUTH DOCTOR-CLEAN II PLUS

---

# Operating Manual

Product name: CLOUTH DOCTOR-CLEAN II Plus



Serial number:

**Joh. Clouth GmbH**  
Johann-Clouth-Straße 1–5  
42499 Hückeswagen, Germany

☎ +49 2192 853-0

✉ [info@clouth-group.com](mailto:info@clouth-group.com)

🌐 [www.clouth-group.com](http://www.clouth-group.com)

<https://www.clouth.com/de/impressum>

# Doctor holder cleaning system

## CLOUTH DOCTOR-CLEAN II PLUS

---

### Table of Contents

<b>1</b>	<b>General Information .....</b>	<b>4</b>
1.1	Information About this Manual .....	4
1.2	Explanation of Symbols .....	4
1.3	Limitation of Liability .....	4
1.4	Conformity in Accordance with Machinery Directive 2006/42/EC .....	4
1.5	Copyright.....	5
1.6	Warranty and Liability .....	5
<b>2</b>	<b>Safety .....</b>	<b>5</b>
2.1	Intended Use .....	5
2.2	General Hazards .....	5
2.3	Operator's Responsibility.....	6
2.4	Personnel Qualification .....	6
2.4.1	Operating Personnel.....	6
2.4.2	Maintenance Personnel.....	6
2.5	Safety Signage .....	6
2.6	Personal Protective Equipment .....	7
2.7	Safety Devices .....	7
2.8	Securing Against Restart.....	7
2.9	Behavior in Hazardous Situations.....	7
<b>3</b>	<b>Environmental Protection .....</b>	<b>7</b>
<b>4</b>	<b>Technical Data .....</b>	<b>8</b>
4.1	Presentation of Technical Data.....	8
4.2	Technical Data in Detail .....	8
<b>5</b>	<b>Construction and Function .....</b>	<b>9</b>
5.1	Short Description .....	9
5.2	Overview .....	9
5.3	Scope of Delivery .....	9
5.4	“Plus” Nozzle .....	10
5.5	Process or Functional Description.....	10
<b>6</b>	<b>Operation of the Cleaning System .....</b>	<b>10</b>
6.1	Operating Principle.....	10
6.2	Operating Conditions .....	10
6.3	Operating Procedure .....	11
6.4	Special Operating Conditions .....	11
<b>7</b>	<b>Transport .....</b>	<b>11</b>

## Doctor holder cleaning system

### CLOUTH DOCTOR-CLEAN II PLUS

---

7.1	Transport Inspection .....	12
7.2	Packaging .....	12
7.3	Dimensionsm Transport .....	12
7.4	Storage .....	12
<b>8</b>	<b>Commissioning / Operation .....</b>	<b>12</b>
8.1	Operation, Use .....	12
8.2	Safety .....	13
8.3	Activities Before Use .....	13
8.4	Normal Operation .....	13
8.4.1	Special Actions .....	13
8.4.2	Activities After Use .....	13
8.4.3	Cleaning .....	14
<b>9</b>	<b>Maintenance .....</b>	<b>15</b>
9.1	Maintenance Schedule .....	15
9.2	Maintenance Work .....	16
<b>10</b>	<b>Possible Malfunctions and Corrective Actions .....</b>	<b>17</b>
<b>11</b>	<b>Disassembly and Disposal .....</b>	<b>17</b>
11.1	Disassembly .....	17
11.2	Disposal .....	18
	<b>Attachment .....</b>	<b>19</b>
	<b>Quality documentation .....</b>	<b>19</b>
	<b>Data sheets, drawing .....</b>	<b>19</b>

### List of Figures

Figure 1 .....	9
Figure 2 .....	13

## Doctor holder cleaning system CLOUTH DOCTOR-CLEAN II PLUS

### 1 General Information

#### 1.1 Information About this Manual

This manual contains important information for the safe and intended use of the CLOUTH DOCTOR-CLEAN II PLUS. It is intended for personnel responsible for operating, maintaining, and cleaning of the system.

#### 1.2 Explanation of Symbols

In this manual, the following icons are used.



#### **DANGER!**

**Type and source of hazard!**

A failure to comply with a danger notice with the signal word “Danger” will cause death or extremely serious injuries.

Take this measure to prevent the danger.



#### **WARNING!**

**Type and source of hazard!**

A failure to comply with a danger notice with the signal word “Warning” can cause death or extremely serious injuries.

Take this measure to prevent the danger.



#### **CAUTION!**

**Type and source of hazard!**

A failure to comply with a danger notice with the signal word “Caution” can cause injuries.

Take this measure to prevent the danger.



#### **NOTE:**

A “Note” indicates additional information to work easier and better or provides notes for using the CLOUTH DOCTOR CUT.

#### 1.3 Limitation of Liability

The manufacturer is not liable for damage resulting from improper use or failure to follow the instructions in this operating manual.

#### 1.4 Conformity in Accordance with Machinery Directive 2006/42/EC

The CLOUTH DOCTOR-CLEAN II PLUS is a cleaning system intended for use in combination with a commercially available high-pressure cleaner.

It is declared that the complies with all relevant provisions of Directive 2006/42/EC and is classified as interchangeable equipment in accordance with Article 2(b) of the Machinery Directive.

The operator shall ensure that the combination of components does not give rise to any additional hazards.

## Doctor holder cleaning system

### CLOUTH DOCTOR-CLEAN II PLUS

---

#### 1.5 Copyright

This manual is protected by copyright. Reproduction or distribution to third parties is permitted only with the express authorization of the manufacturer.

#### 1.6 Warranty and Liability

All business relations with our customers are governed exclusively by our General Terms and Conditions (GTC). These are available at [\[https://www.clouth.com/de/mediathek/allgemeine-geschaftsbedingungen\]](https://www.clouth.com/de/mediathek/allgemeine-geschaftsbedingungen) or may be provided upon request. Any deviating terms and conditions of the purchaser shall not become part of the contract unless we have expressly agreed to their validity in writing.

## 2 Safety

### 2.1 Intended Use

The CLOUTH DOCTOR-CLEAN II PLUS is a doctor holder cleaning system and is intended exclusively for cleaning the doctor blade guides of the designated CLOUTH doctor holders:

- CLOUTHFLEX-18
- CLOUTHFLEX-18 VA
- CLOUTHFLEX-18/35 A
- CLOUTHFLEX-18/35 AS
- CLOUTH-CONTOUR
- CLOUTH HS-1
- CLOUTH TOPSLIDE

The CLOUTH DOCTOR-CLEAN II PLUS is operated in conjunction with the spray gun of a commercially available high-pressure cleaner.

The CLOUTH DOCTOR-CLEAN II PLUS may only be operated by two instructed persons.

Cleaning operations may only be carried out on machines that have been shut down.

Any other use or use beyond the intended purpose shall be considered improper use and may result in personal injury and property damage.

### 2.2 General Hazards



#### **WARNING!**

##### **Risk of Injury Due to High-Pressure Jet**

- Never direct the water jet at persons.
- High-pressure jets can cause severe injection injuries.
- Damaged high-pressure tubes must not be used.
- The system must be depressurized before disconnecting any connections.



#### **CAUTION!**

- Risk of eye injury due to flying dirt particles.
- Risk of slipping due to wet or slippery floors.
- Tripping hazard – Ensure that tubes and lines are routed properly to prevent accidents.

## Doctor holder cleaning system

### CLOUTH DOCTOR-CLEAN II PLUS

---

#### 2.3 Operator's Responsibility

The operator is responsible for:

- Compliance with all applicable safety regulations and the regular maintenance of the cleaning system.
- conducting a risk assessment to identify workplace hazards.
- defining and implementing necessary protective measures, including safety labeling.
- ensuring the safety and health of employees when using work equipment.
- providing operating instructions to operating personnel.
- compliance within the European Union with Directive 89/391/EEC on the “introduction of measures to encourage improvements in the safety and health of workers at work” as well as national regulations (e.g., in Germany the Industrial Safety Ordinance (BetrSichV)).

#### 2.4 Personnel Qualification

The operator shall ensure that only instructed and suitably qualified personnel are assigned to work with the equipment. The operator is responsible for ensuring that operating and maintenance personnel have the required qualifications.

All persons working with or on the machine must have read and understood this operating manual.

The operator shall document in writing that operating and maintenance personnel have acknowledged receipt and understanding of this manual, and that regular training has been conducted.

##### 2.4.1 Operating Personnel

Operating personnel must be adequately trained prior to the start of work regarding the type and scope of the respective activity as well as potential hazards. Training shall be conducted on a regular basis (at least once per year).

##### 2.4.2 Maintenance Personnel

Maintenance and repair personnel must be qualified and:

- sufficiently trained for the respective tasks
- familiar with and compliant with applicable technical rules and safety regulations

A qualified person is someone who, based on their technical education and experience as well as knowledge of relevant regulations, applicable standards, and safety requirements, is capable of performing the required tasks and recognizing and avoiding potential hazards.

#### 2.5 Safety Signage

Safety signs may be affixed to the machine indicating hazard areas or the requirement to use personal protective equipment.

Missing or illegible safety signs must be replaced immediately by the operator.

## Doctor holder cleaning system

### CLOUTH DOCTOR-CLEAN II PLUS

---

#### 2.6 Personal Protective Equipment

When working with the doctor holder cleaning system, the personal protective equipment provided by the operator must be worn at all times.



##### **Wear Safety Glasses!**

Risk of eye injuries and loss of vision from flying dirt particles.  
Protect your eyes by wearing safety glasses.



##### **Wear hearing protection!**

Risk of noise exposure!  
Protect your hearing by wearing hearing protection.



##### **Wear Foot Protection!**

Hazards from slipping on slippery surfaces, injuries from sharp doctor blades, or falling parts!  
Protect your feet by wearing foot protection.



##### **Wear Hand Protection!**

Hazards from sharp and hot doctor blades.  
Protect your hands by wearing cut-resistant and heat-resistant gloves.



##### **Wear Protective Clothing!**

Hazards from entanglement in moving machine parts or getting caught on machine components. Hazards from sharp doctor blades!  
Wear tight-fitting, cut-resistant protective clothing.

#### 2.7 Safety Devices

The CLOUTH DOCTOR-CLEAN II PLUS is not equipped with any active safety devices. It must only be operated in compliance with the safety measures described in this manual. See chapter 2.3

#### 2.8 Securing Against Restart

**Before performing maintenance and cleaning work on the scraper holder, the system must be depressurized and de-energized and secured against inadvertent restart.**

#### 2.9 Behavior in Hazardous Situations

In the event of danger, the high-pressure cleaner must be switched off immediately and emergency services must be called.

### 3 Environmental Protection

When disposing of the CLOUTH DOCTOR-CLEAN II, the applicable national environmental regulations of the operator's country must be observed.

## Doctor holder cleaning system

### CLOUTH DOCTOR-CLEAN II PLUS

---

## 4 Technical Data

### 4.1 Presentation of Technical Data

PRODUCT NAME	CLOUTH DOCTOR-CLEAN II PLUS
TYP	Doctor holder cleaning system
OPERATION MODE	Manual
FUNCTION – CONNECTION: STANDARD HIGH-PRESSURE CLEANER (NOT INCLUDED IN THE SCOPE OF DELIVERY)	(max. 210 bar)
CONNECTION	High-pressure connection M22 x 1.5
TUBE	Assembled high-pressure tube, double the length of the carrier blade
OPERATING PRESSURE	max. 210 bar
OPERATING TEMPERATURE	max. 80°C
NOZZLE HEAD	Material: stainless steel (VA) with “Plus” nozzle
CARRIER BLADE MATERIAL	Stainless Steel (VA) Including riveting, length corresponds to holder length.
WEIGHT	Approx. 1,25 kg/m

### 4.2 Technical Data in Detail

- Product name: CLOUTH DOCTOR-CLEAN II Plus
- Specific features and areas of application:  
The CLOUTH DOCTOR-CLEAN II Plus is a manual cleaning system with an additional cleaning nozzle located at the front of the cleaning head for targeted cleaning of blade guides in the doctor blade holder.

## Doctor holder cleaning system CLOUTH DOCTOR-CLEAN II PLUS

### 5 Construction and Function

#### 5.1 Short Description

The CLOUTH DOCTOR-CLEAN II PLUS is a manually guided cleaning system for cleaning the blade guides on CLOUTH scraper holders. It is connected to the spray gun of a high-pressure cleaner and is operated exclusively on cooled-down, shut-down machines.

Cleaning is performed by manually guiding the CLOUTH DOCTOR-CLEAN II PLUS along the blade guide using water.

#### 5.2 Overview

##### CLOUTH DOCTOR-CLEAN II Plus

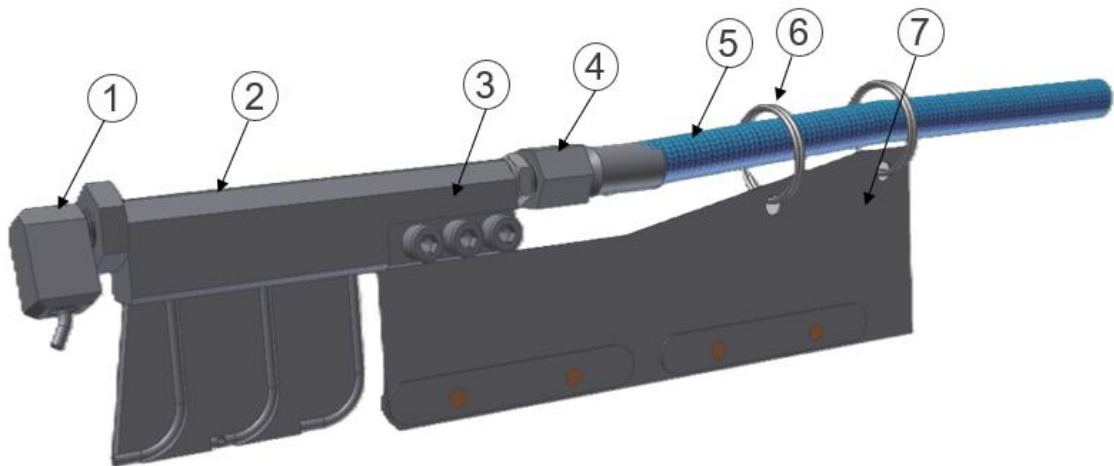


Figure 1

ITEM	DESCRIPTION
1	Cleaning attachment with "Plus" nozzle
2	Nozzle head
3	Nozzle mounting plate
4	Threaded connection
5	Hydraulic tube
6	Tube clamp ring
7	Carrier blade

#### 5.3 Scope of Delivery

- CLOUTH DOCTOR-CLEAN II PLUS
- Operating manual

## Doctor holder cleaning system

### CLOUTH DOCTOR-CLEAN II PLUS

---

#### 5.4 “Plus” Nozzle

Cleaning Attachment with “Plus” Nozzle

The “Plus” nozzle is ideally suited for cleaning additional areas such as the cover plate or the underside of the doctor blade holder.

#### 5.5 Process or Functional Description

The CLOUTH DOCTOR-CLEAN II Plus is a cleaning system specifically designed for cleaning the blade guides on CLOUTH doctor blade holders.

The cleaning system is connected via its fittings to the handheld spray gun of a standard pressure washer. After the machine has been stopped and allowed to cool down, the pressure washer is activated. Water is then directed through the CLOUTH DOCTOR-CLEAN II Plus onto the blade guide.

By manually guiding the CLOUTH DOCTOR-CLEAN II Plus along the blade guide, dirt and deposits are loosened and flushed out by the water jet. The cleaning effect is achieved solely through the combination of high-pressure water jet and guided movement of the cleaning system.

The CLOUTH DOCTOR-CLEAN II Plus can be moved back and forth along the blade guide multiple times until the desired level of cleanliness is achieved. The cleaning process may be repeated if necessary.

After cleaning is completed, the pressure washer is switched off and the CLOUTH DOCTOR-CLEAN II Plus is disconnected from the pressure washer.



#### **NOTE:**

The CLOUTH DOCTOR-CLEAN II PLUS must be operated at a maximum pressure of 210 bar. Operation at higher pressure is not permitted.

## 6 Operation of the Cleaning System

The operation of the CLOUTH DOCTOR-CLEAN II PLUS describes its intended use for cleaning the blade guides on the specified CLOUTH scraper holders. The cleaning system is operated in conjunction with a commercially available high-pressure cleaner.

### 6.1 Operating Principle

The CLOUTH DOCTOR-CLEAN II PLUS is connected via its fittings to the spray gun of a high-pressure cleaner. After the machine has been shut down and cooled down, the CLOUTH DOCTOR-CLEAN II PLUS is manually guided along the blade guide. The water jet from the spray gun loosens and removes dirt and deposits from the blade guide.

The process is performed manually, with the cleaning system being guided in a controlled manner along the blade guide. The cleaning process may be repeated as often as necessary until all contamination has been removed.

### 6.2 Operating Conditions

- **Operating medium:** Water
- **Operating mode:** Manual guidance of the cleaning system
- **Operating temperature:** The device must be used on cooled machine components to prevent stress cracks and damage caused by sudden temperature changes.
- **Pressure source:** High-pressure cleaner (pressure range according to the manufacturer’s specifications of the high-pressure cleaner).

## Doctor holder cleaning system

### CLOUTH DOCTOR-CLEAN II PLUS

---

#### 6.3 Operating Procedure

- 1. Preparation:**
  - Shut down the machine.
  - Ensure that all safety precautions have been taken and that the machine is secured against unintended restart.
- 2. Connection:**
  - The CLOUTH DOCTOR-CLEAN II PLUS is connected to the spray gun of the high-pressure cleaner.
  - The spray gun of the high-pressure cleaner must only be switched on once the CLOUTH DOCTOR-CLEAN II PLUS is correctly positioned in the blade guide with the first guide rivet of the carrier blade.
- 3. Cleaning:**
  - The CLOUTH DOCTOR-CLEAN II PLUS is manually guided along the blade guide. The water jet removes contamination from the blade guide.
  - The cleaning process may be repeated depending on the level of contamination.
- 4. Completion:**
  - After completion of cleaning, the **high-pressure cleaner is switched off** and the CLOUTH DOCTOR-CLEAN II PLUS is disconnected from the high-pressure cleaner.

#### 6.4 Special Operating Conditions

- **High-pressure cleaner:** A high-pressure cleaner must be used with an operating pressure that complies with the manufacturer's specifications.
- **Cleanliness:** Before starting the cleaning process, ensure that there are no large foreign objects or mechanical damage that could compromise the operation.

## 7 Transport



### NOTE:

During in-plant transport of the CLOUTH DOCTOR-CLEAN II, the following safety precautions must be observed to prevent damage to the product and injury to persons.

- **Suitable transport equipment:**

Use appropriate transport equipment such as pallet trucks, forklifts, or transport trolleys that are rated for the weight and dimensions of the CLOUTH DOCTOR-CLEAN II. Ensure that the transport equipment is in good condition and regularly maintained.
- **Safe handling:**

Handle the CLOUTH DOCTOR-CLEAN II PLUS carefully and use lifting aids if necessary. Be mindful of the device's weight and avoid sudden movements. Wear appropriate personal protective equipment, such as safety gloves and safety shoes.
- **Transport securing:**

Secure the CLOUTH DOCTOR-CLEAN II PLUS on the transport equipment to prevent slipping during transport. Use suitable tie-downs and consider the device's center of gravity.
- **Transport routes:**

Choose clear and straight transport routes free of obstacles or uneven surfaces. Ensure adequate lighting and that the routes are properly marked.
- **Internal traffic regulations:**

Observe internal traffic rules and speed limits. Be aware of pedestrians and other vehicles.
- **Caution in tight areas:**

Exercise extra caution when moving the CLOUTH DOCTOR-CLEAN II PLUS through narrow spaces or doors. Use a guide person if necessary.

## Doctor holder cleaning system

### CLOUTH DOCTOR-CLEAN II PLUS

---

- **Protection against damage:**  
Protect the CLOUTH DOCTOR-CLEAN II PLUS from impacts and other external influences. Ensure that no other objects can fall onto the device.
- **Packaging:**  
Keep the CLOUTH DOCTOR-CLEAN II PLUS in its transport case until use whenever possible, to protect it from damage.

#### 7.1 Transport Inspection

Before transporting, check the CLOUTH DOCTOR-CLEAN II PLUS for any damage to ensure it is in perfect condition for safe transport.

#### 7.2 Packaging

Wooden shipping crate

#### 7.3 Dimensionsm Transport

Transport dimensions and weight: Varies according to customer-specific requirements.

#### 7.4 Storage

Store the CLOUTH DOCTOR-CLEAN II PLUS in a dry, clean location.

## 8 Commissioning / Operation



### NOTE:

Use the provided personal protective equipment, see chapter 2.6.

### 8.1 Operation, Use

1. **Connection of the pressure tube:**  
Connect the pressure tubes of the CLOUTH DOCTOR-CLEAN II PLUS to the corresponding adapter:
  - to the spray gun of the high-pressure cleaner (for water-based cleaning)
2. **Inserting the cleaning system:**  
Manually insert the CLOUTH DOCTOR-CLEAN II PLUS with the nozzles and the carrier blade into the blade guide of the doctor blade holder.
3. **Two-person operation:**  
Operation shall only be carried out by two instructed person:
  - **Person 1** guides and pushes the cleaning system.
  - **Person 2** assists with guiding and operates the spray gun of the high-pressure cleaner.
4. **The spray gun of the high-pressure cleaner may only be switched on once the CLOUTH DOCTOR-CLEAN II PLUS is correctly positioned in the blade guide with the first guide rivet of the carrier blade.**

#### Explanation:

- **Operator responsibility:** Since the CLOUTH DOCTOR-CLEAN II PLUS is an auxiliary device connected to a high-pressure cleaner, the responsibility for operation and commissioning lies with the operator.
- **Training of personnel:** The operator is responsible for adequately training the operating personnel and informing them about the safe operation of the cleaning system. See chapter 2.3.

## Doctor holder cleaning system

### CLOUTH DOCTOR-CLEAN II PLUS

#### 8.2 Safety

Follow the safety instructions in this manual.

#### 8.3 Activities Before Use

- Visual inspection of the CLOUTH DOCTOR-CLEAN II Plus

#### 8.4 Normal Operation

The execution of normal operation of the CLOUTH DOCTOR-CLEAN II PLUS is the sole responsibility of the operator. It is important to ensure that the CLOUTH DOCTOR-CLEAN II PLUS is used exclusively for its intended purpose.



#### Note:

The manufacturer of the CLOUTH DOCTOR-CLEAN II PLUS accepts no responsibility for damages or injuries resulting from improper use or failure to follow the operating manual.

##### 8.4.1 Special Actions

- The cleaning with the CLOUTH DOCTOR-CLEAN II PLUS may only be performed on a machine that is not in operation and is stationary.



#### WARNING!

##### Risk of injury from moving components

- Cleaning and doctor blade replacement may only be performed on a stationary machine to avoid injury from moving parts.
- Before starting work, the machine must be de-energized and secured against unintentional restart.



#### NOTE:

The manufacturer of the doctor blade holder accepts no responsibility for damages or injuries resulting from improper cleaning or blade replacement.

##### 8.4.2 Activities After Use

- Cleaning of the CLOUTH DOCTOR-CLEAN II Plus.
- Visual inspection for damage, wear, or leaks.
- After completing the work with the cleaning system, store it in the supplied packaging.



Figure 2

## Doctor holder cleaning system

### CLOUTH DOCTOR-CLEAN II PLUS

---

#### 8.4.3 Cleaning

It is important to clean the cleaning system after each use to prevent the buildup of contaminants and residues. Especially when using water that contains impurities, residues may accumulate on the CLOUTH DOCTOR-CLEAN II Plus, reducing its cleaning effectiveness or causing damage.



#### **WARNING!**

##### **Risk of injury from moving components!**

- Carefully disconnect the CLOUTH DOCTOR-CLEAN II PLUS from the high-pressure cleaner and allow any residual water in the system to drain.



#### **CAUTION!**

##### **Hazard from liquids and flying dirt particles!**

- Wear appropriate personal protective equipment, such as safety goggles and gloves, during cleaning.
- Do not direct the water jet at people.

#### **Explanation:**

- **Effective Cleaning:**  
The regular, thorough cleaning of the CLOUTH DOCTOR-CLEAN II PLUS should be done with compressed air or water. This effectively removes deposits, dirt, and production residues.
- **Internal Cleaning:**  
Clean the internal components of the CLOUTH DOCTOR-CLEAN II PLUS by directing a light water jet through the connections. Do not use aggressive chemicals or solvents, as these could damage the materials of the device.
- **Drying:**  
Thoroughly dry the CLOUTH DOCTOR-CLEAN II PLUS after cleaning to avoid corrosion.
- **Storage:**  
Store the device in a dry, dust-free location to ensure long-term functionality. Avoid storing it in damp or extremely hot environments.
- **Documentation:**  
Regular cleaning of the CLOUTH DOCTOR-CLEAN II PLUS should be included in the maintenance schedule

## Doctor holder cleaning system

### CLOUTH DOCTOR-CLEAN II PLUS

## 9 Maintenance

In addition to regular cleaning, the seals and connections of the CLOUTH DOCTOR-CLEAN II PLUS should also be checked regularly. If seals or other parts of the system are worn, they must be replaced to ensure proper functionality.



### WARNING!

#### Risk of injury from moving parts!

- Before starting maintenance work, the machine must be disconnected from the power supply and secured against unintentional restarting.
- When carrying out maintenance work, wear appropriate personal protective equipment, such as safety goggles and protective gloves.

#### Explanation:

- **Manufacturer's recommendations:**
  - The manufacturer's recommendations serve as a guideline for the maintenance intervals.
  - Depending on the operating conditions, more frequent maintenance work may be required.
- **Maintenance schedule:**
  - The maintenance schedule contains all relevant maintenance tasks, intervals, and responsibilities.
  - The maintenance work carried out shall be documented by the operator.



### NOTE:

- The manufacturer of the CLOUTH DOCTOR-CLEAN II PLUS accepts no responsibility for damage resulting from improper maintenance or failure to comply with the manufacturer's recommendations.

### 9.1 Maintenance Schedule

Maintenance of the cleaning system must be included by the operator in the regular maintenance plan. Maintenance tasks shall be carried out at regular intervals to ensure the functionality and extend the service life of the cleaning system. Operation of the system with damaged or non-original components may compromise operational safety, create a risk of personal injury, and cause property damage.

CLOUTH DOCTOR-CLEAN II	Inspection and Maintenance Work	Interval
General	<ul style="list-style-type: none"> <li>• Visual inspection for damage</li> </ul>	<ul style="list-style-type: none"> <li>• Before each use</li> </ul>
Flexible pressure tubing, fittings, and couplings	<ul style="list-style-type: none"> <li>• Visual inspection (Check for leaks and externally visible damage)</li> <li>• Perform functional test</li> <li>• Immediately replace any damaged pressure tube</li> </ul>	<ul style="list-style-type: none"> <li>• Before each use</li> </ul>
Flexible pressure tubing	<ul style="list-style-type: none"> <li>• Replace tub lines</li> </ul>	<ul style="list-style-type: none"> <li>• At least every 2 years</li> <li>• or earlier in case of wear</li> </ul>
Nozzle head	<ul style="list-style-type: none"> <li>• Functional test</li> </ul>	<ul style="list-style-type: none"> <li>• Before each use</li> </ul>

## Doctor holder cleaning system

### CLOUTH DOCTOR-CLEAN II PLUS

---

#### Explanation:

- **Operator Responsibility:**
  - The operator is responsible for integrating the CLOUTH DOCTOR-CLEAN II PLUS into their existing maintenance plan.
  - This ensures smooth operation and extends the service life of the product.
- **Maintenance Plan:**
  - A comprehensive maintenance plan must include all relevant maintenance tasks, intervals, and responsibilities.
  - Proper documentation of completed maintenance tasks is essential.
- **Manufacturer Recommendations:**
  - The manufacturer's maintenance recommendations must be strictly followed.
  - Failure to comply may result in the loss of warranty claims.
- **Warranty Loss:**
  - If the manufacturer's maintenance recommendations are not followed, the warranty for the doctor holder cleaning system may be voided.
  - This means the manufacturer is not liable for any damage caused by insufficient maintenance.



#### NOTE:

- The manufacturer's maintenance recommendations must be followed, and all performed maintenance tasks must be documented.
- If there are any questions regarding the maintenance of the doctor holder cleaning system, the operator may contact the manufacturer.

## 9.2 Maintenance Work

To ensure smooth operation, it is recommended to perform a visual inspection of the system for leaks, contamination, and damage before use. This is the responsibility of the operating personnel.

Maintenance is carried out according to the manufacturer's maintenance plan. The manufacturer recommends the following maintenance intervals:

- **Regular Visual Inspection:**
  - Check the doctor holder cleaning system for damage, wear, or leaks.
  - Pay particular attention to tubes, connections, and fittings.
- **Before Each Use:**
  - Check the level of contamination.  
*Recommendation: Perform regular cleaning to maintain proper movement of the system.*
  - Inspect for damage, wear, or leaks.
- **Cleaning:**
  - Regularly remove dirt, deposits, and production residues using a suitable high-pressure cleaner or water tubes.
- **Pressure Tubes:**
  - The pressure tubes is a wear part with a limited service life. Its lifespan depends on storage conditions, operating load, and other operating factors.  
Replacement is recommended every 2 years to ensure functionality and safety. Replacement intervals must be determined by the operator.
- **Leakage Check:**
  - Inspect all connections and the tubes for tightness to prevent pressure loss.
- **Manufacturer Recommendations:**
  - Depending on operating conditions, more frequent maintenance may be required.

## Doctor holder cleaning system CLOUTH DOCTOR-CLEAN II PLUS

- **Documentation:**
  - Maintain a maintenance log documenting all performed maintenance tasks, intervals, and materials used.



### WARNING!

#### Risk of injury from moving parts

- Before starting any maintenance work, switch off the machine and secure it against accidental restart.
- Wear appropriate personal protective equipment (PPE) during maintenance, such as safety glasses and protective gloves.



### NOTE:

- If there are any questions regarding maintenance, the operator may contact the manufacturer.

## 10 Possible Malfunctions and Corrective Actions

Fault / Malfunction	Possible Cause	Corrective Action
Irregular Cleaning Performance	<ul style="list-style-type: none"><li>• Clogged Nozzle or Tubes</li></ul>	<ul style="list-style-type: none"><li>• Check and clean nozzles and tubes</li></ul>
No water from the nozzle	<ul style="list-style-type: none"><li>• Water pressure too low</li><li>• Nozzle dirty or clogged</li><li>• Leaks</li><li>• Tube kinked</li></ul>	<ul style="list-style-type: none"><li>• Check supply lines</li><li>• Clean or replace nozzle</li><li>• Tighten fittings</li><li>• Avoid kinking of tubes</li></ul>
Leaks in the pressure tubes	<ul style="list-style-type: none"><li>• Damaged tubes or loose connections</li></ul>	<ul style="list-style-type: none"><li>• Check pressure tubes and immediately replace any damaged ones; tighten connections</li></ul>
Pressure Drop	<ul style="list-style-type: none"><li>• Clogged nozzles, air in the system, porous tubes, or defective connection</li></ul>	<ul style="list-style-type: none"><li>• Clean nozzles, remove air from the system, tighten fittings, replace tubes, check connections</li></ul>
Deposits on the nozzle head	<ul style="list-style-type: none"><li>• Infrequent maintenance</li></ul>	<ul style="list-style-type: none"><li>• Perform regular maintenance</li></ul>

## 11 Disassembly and Disposal

### 11.1 Disassembly

The CLOUTH DOCTOR-CLEAN II PLUS should only be disassembled if the system needs to be replaced or disposed of.

#### Steps for disassembly:

- **Turn off the high-pressure cleaner:** Before starting disassembly, disconnect the high-pressure cleaner from the power supply and ensure that there is no residual pressure in the system.
- **Disconnect the cleaning system from the high-pressure cleaner:** Detach the CLOUTH DOCTOR-CLEAN II PLUS from the spray gun of the high-pressure cleaner.

## Doctor holder cleaning system

### CLOUTH DOCTOR-CLEAN II PLUS

---

- **Visual inspection:** Check the cleaning system for any damage or wear that may have occurred during operation.
- **Storage:** If the cleaning system is to be stored temporarily, keep it in a dry, dust-free location, protected from extreme temperatures.

#### 11.2 Disposal

- **Disassemble the system into individual components:** Remove all non-recyclable parts, such as seals, and dispose of them in accordance with local regulations.
- **Recycling:** The main components of the CLOUTH DOCTOR-CLEAN II PLUS (e.g., metal and plastic parts) are recyclable. Separate these materials and send them to the appropriate local recycling process.



#### NOTE:

- **Safety:** Always follow safety precautions during disassembly and disposal to prevent personal injury or environmental damage.
- **Local regulations:** Ensure that disposal is carried out in accordance with local waste disposal regulations.

## Doctor holder cleaning system

### CLOUTH DOCTOR-CLEAN II PLUS

---

#### Attachment

#### Quality documentation

Customer-specific data

#### Data sheets, drawing

Customer drawing

**Joh. Clouth GmbH**  
Johann-Clouth-Straße 1–5  
42499 Hückeswagen, Germany

☎ +49 2192 853-0

✉ [info@clouth-group.com](mailto:info@clouth-group.com)

🌐 [www.clouth-group.com](http://www.clouth-group.com)